

Military Display

for Air, Sea and Land Vehicles



15" Sunlight to NVIS AMLCD Display Module

Specification: PN: 06D1522-167

- Display Resolution: 1024 X 768 Color Pixels (XGA)
- Active Area: 304.8mm x 228.4mm
- Contrast: 400 : 1
- Brightness:
 - Day Mode for Sunlight Readable
 - 160 ft-L at 18 Watts Backlight Power
 - Sunlight Readable without Backlight power to conserve power for emergency.
 - Night Mode (NVIS) 0.01ft-L; Meet Mil-L-3009, Type 1, Class B for Multi-Color Displays
- Dimming Ratio: Day Mode 1 ft-L to 160 ft-L: Night Mode (NVIS): 0.01 to 2 ft-L
- Input Voltages: +24V and +12V
- Input Signals: Standard Analog RGB and NTSC
- Operating Temperature: -32C to +65C
- AR Front Tempered Glass bonded to AMLCD for Sunlight Readability and Impact Protection
- Designed for Nuclear Survivability (optional)
- Water Tight Ruggedized Display Construction
- Altitude: Sea Level to 15,000 ft (50,000 ft optional)
- Rated Lamp Life to Half Brightness: 15,000 hours

Design Features

- Sunlight Readable with Zero Backlight Power Under Sunloading
- High Efficiency Backlight for low power consumption.
- Constant Light Output via Closed-Loop Optical Feedback Circuitry (Optional)
- Designed for High Shock and Vibration Requirements
- Manufactured in USA

See reverse side for system block diagram and mechanical outline dimensions.

Display Solutions For All LCDs Custom Orders Are Welcomed

22951 La Cadena Drive, Laguna Hills, CA 92653

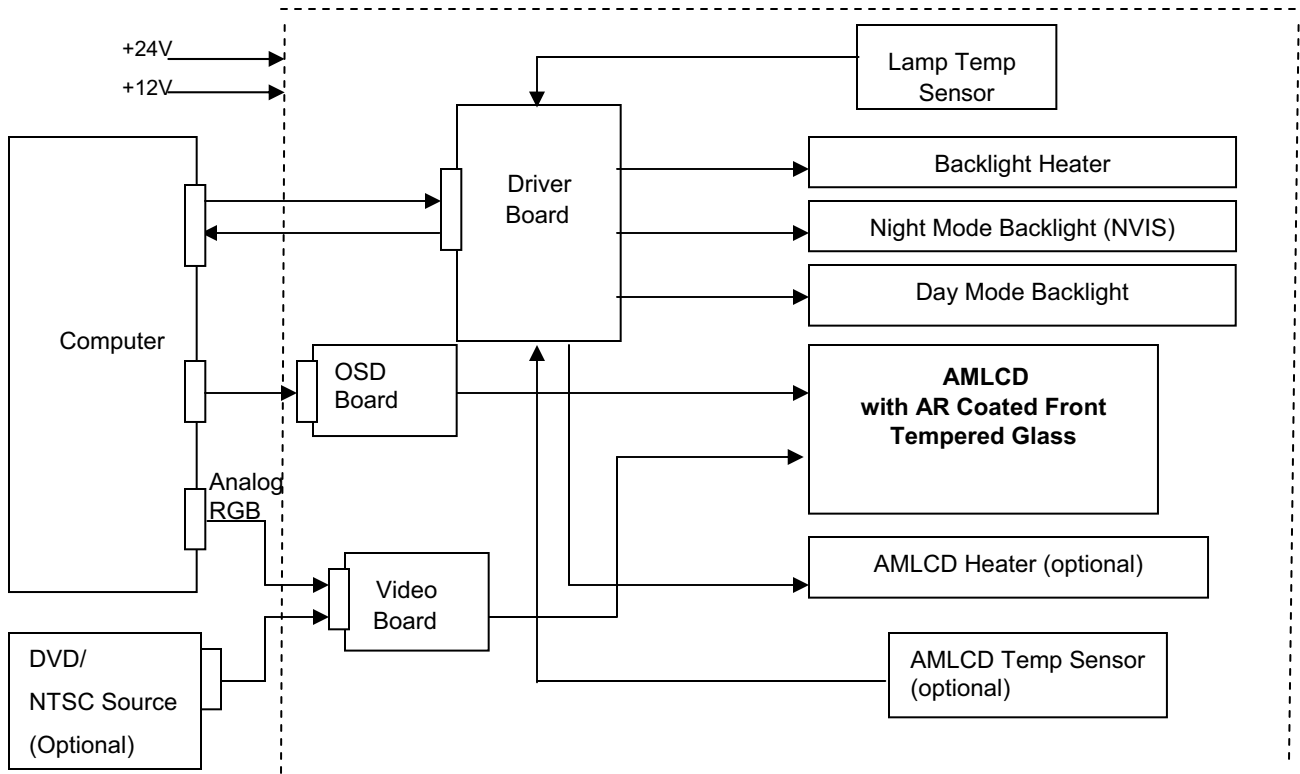
TEL: 949-588-2675

FAX: 949-588-2679

WEBSITE: www.insyncperipherals.com

email: info@insyncperipherals.com

INSYNC PERIPHERALS

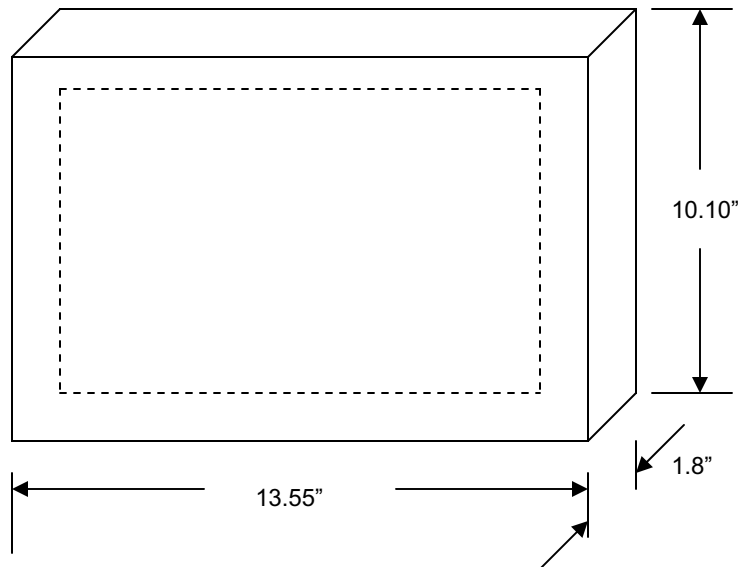


Display System Block Diagram

Notes

1. AMLCD Temp Sensor to maintain AMLCD temperature above -10C when ambient goes below -10C(optional).
2. Lamp Temp Sensor to maintain lamp temperature between +65C and +80C.

INSYNC PERIPHERALS



15" AMLCD Display Module dimensions without Bezel and Power Supply

Display System Outline